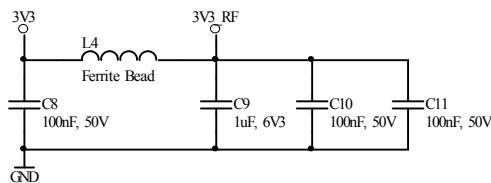
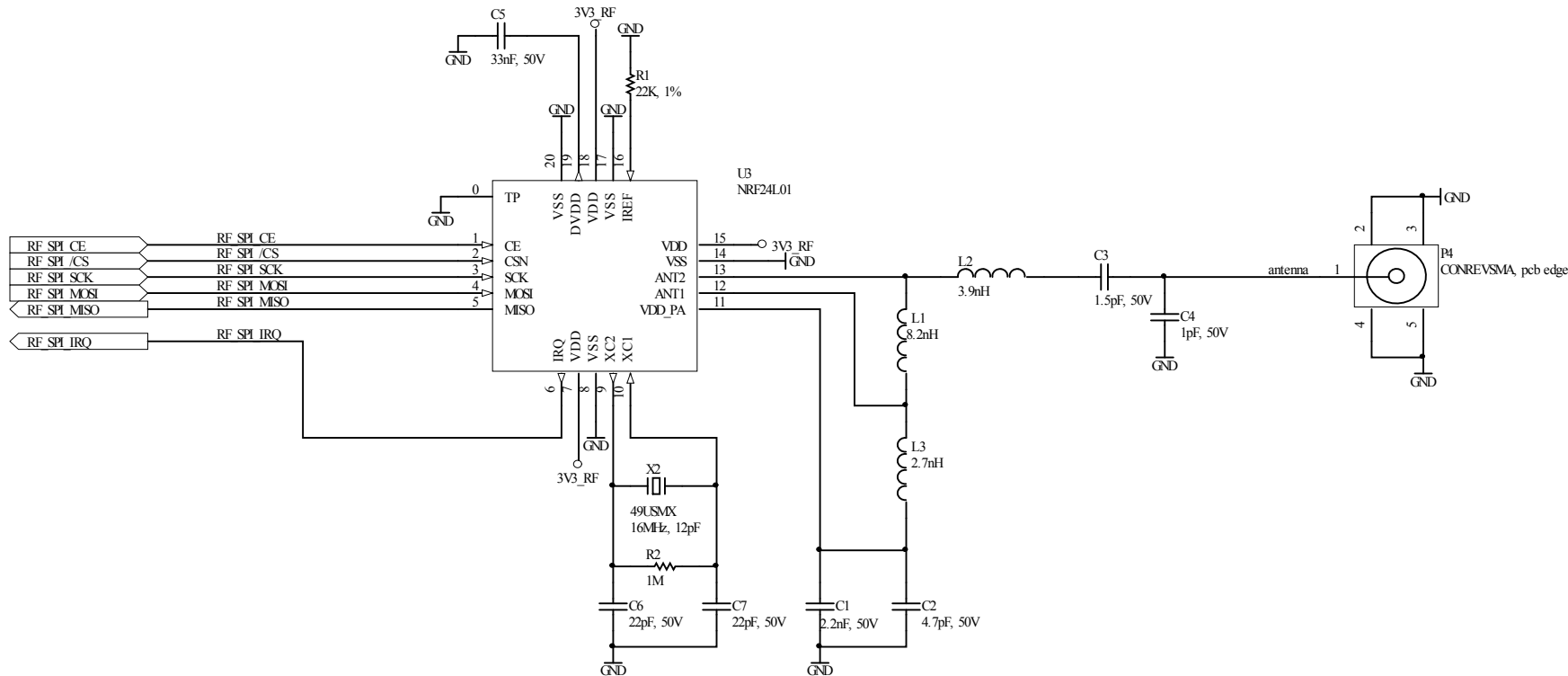
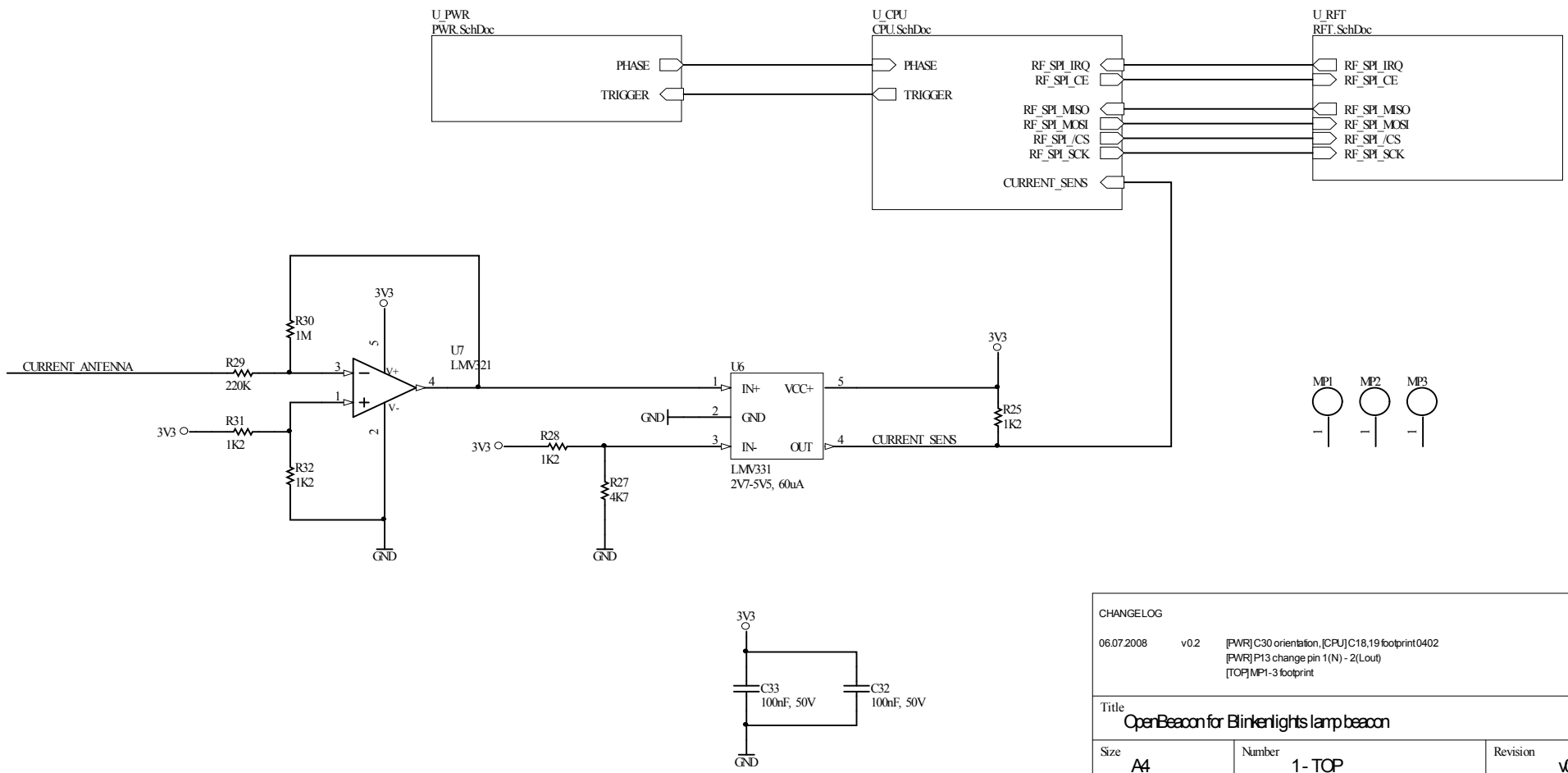


Title OpenBeacon for Blinkerlights lamp beacon		
Size A4	Number 4-PWR	Revision v0.1
Date: 05.10.2008 Sheet: 3 of 3	Designed by: Miosch Meriac Drawn by: Brita Meriac	bitmanufaktur http://www.bitmanufaktur.de
Licensed under the Creative Commons Attribution-ShareAlike 2.0 Germany License Copyright 2008 by Miosch Meriac http://creativecommons.org/licenses/by-sa/2.0/de/ deed.en		



Title OpenBeacon for Blinkerlights lamp beacon		
Size A4	Number 3- RFT	Revision v0.1
Date: 05.10.2008 Sheet: 3 of 3	Designed by: Miosch Meriac Drawn by: Brita Meriac	bitmanufaktur http://www.bitmanufaktur.de
Licensed under the Creative Commons Attribution-ShareAlike 2.0 Germany License Copyright 2008 by Miosch Meriac http://creativecommons.org/licenses/by-sa/2.0/de/nd/by-sa/		



CHANGELOG		
06.07.2008	v0.2	[PWR] C30 orientation, [CFU] C18,19 footprint 0402 [PWR] P13 change pin 1(N) - 2(L)out [TOP] MP1-3 footprint
Title OpenBeacon for Blinkerlights lamp beacon		
Size A4	Number 1- TOP	Revision v0.1
Date: 05.10.2008 Sheet: 1 of 3	Designed by: Miosch Meriac Drawn by: Brita Meriac	bitmanufaktur http://www.bitmanufaktur.de
 Licensed under the Creative Commons Attribution-ShareAlike 2.0 Germany License Copyright 2008 by Miosch Meriac http://creativecommons.org/licenses/by-sa/2.0/de/deed.en		